

- NOTES:
- MATERIAL:
 - HOUSING: THERMOPLASTIC, HIGH TEMP., UL94V-0;
 - CONTACT: COPPER ALLOY
 - FITTING NAIL: COPPER ALLOY
 - FINISH:
 - CONTACT: GOLD FLASH OVER ALL. 50u" MIN NICKEL UNDERPLATING OVERALL.
 - FITTING NAIL: GOLD FLASH OVER ALL. 50u" MIN NICKEL UNDERPLATING OVERALL.
 - REFLOW SOLDER CAPABLE TO 260°C PER ACES SPEC.
 - SPEC. PLS. REFER TO PS-50021-xxxx-xxx
 - PACKAGE PLS. REFER TO 88397-XXXX-TRP
 - PART NUMBER

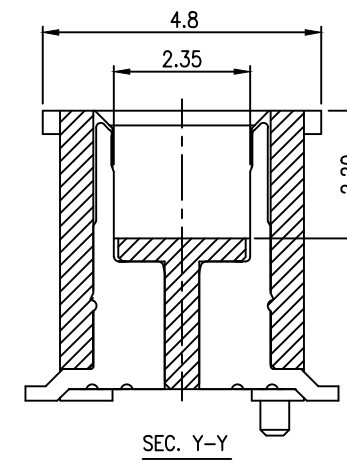
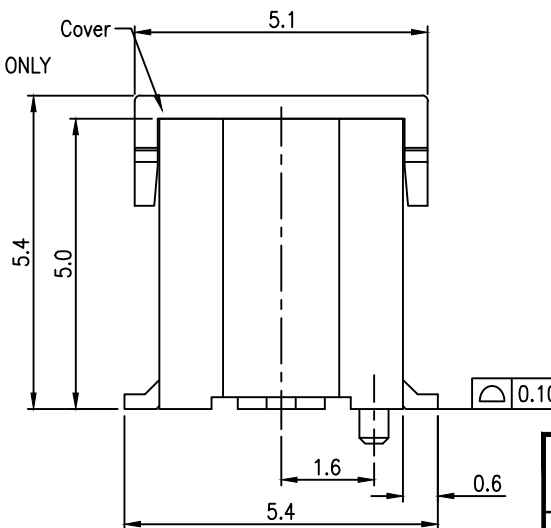
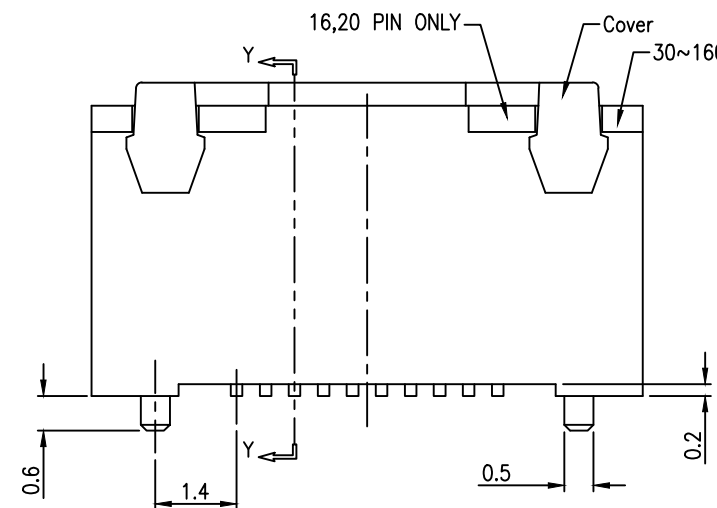
50024-XXX X X-XXX

XXX	Housing Color	Halogen Free
001	Black	HF

No Of CKT

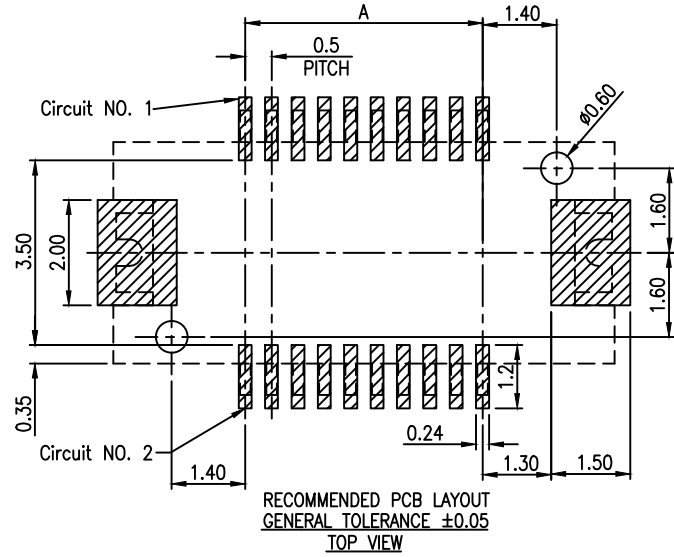
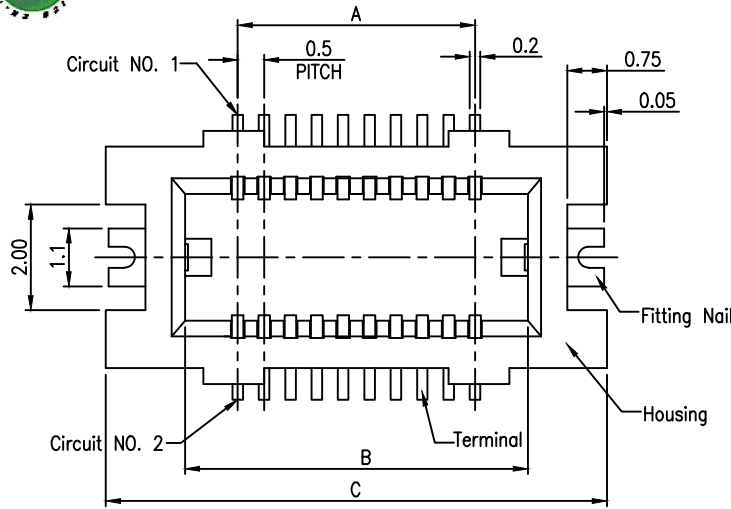
PLATING
1:GOLD FLASH OVER ALL

PACKING
7:TAPE & REEL WITH COVER.
8:TUBE WITH COVER.



CKT	DIM A	DIM B	DIM C
16	3.5	5.5	8.5
20	4.5	6.5	9.5
30	7.0	9.0	12.0
40	9.5	11.5	14.5
50	12.0	14.0	17.0
60	14.5	16.5	19.5
70	17.0	19.0	22.0
80	19.5	21.5	24.5
100	24.5	26.5	29.5
120	29.5	31.5	34.5
160	39.5	41.5	44.5

QUALITY SYMBOLS MAJOR (M) CRITICAL (C)	DRAWN BY	DATE	ACES ELECTRONICS TITLE 0.5mm BTB D/R CONN.SMT S/T TYPE (WITH COVER)
	Rong, Li Ping	19/08/21	
GENERAL TOLERANCES (UNLESS SPECIFIED) X. ±0.5 .X ±0.25 .XX ±0.15 .XXX ±0.1 ANGLES ±2°	CHECKED BY	DATE	SIZE
	Lu, Jing Quan	19/08/21	A4
	APPROVED BY	DATE	SCALE
	hsieh, fu yu	19/08/21	8 : 1
	UNITS	UNIT SYMBOL	SHEET NO.
	mm		1 OF 2
	SCALE	REV	SIZE
	8 : 1	A	A4
		DWG NO.	RFQ NO.
		50024-XXXXX-XXX	N/A



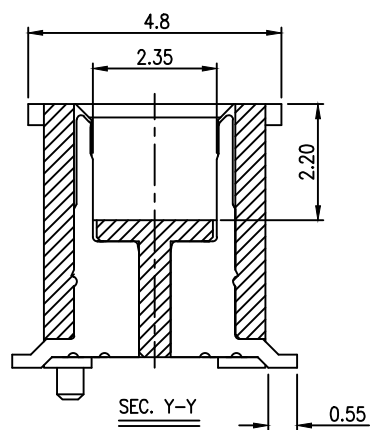
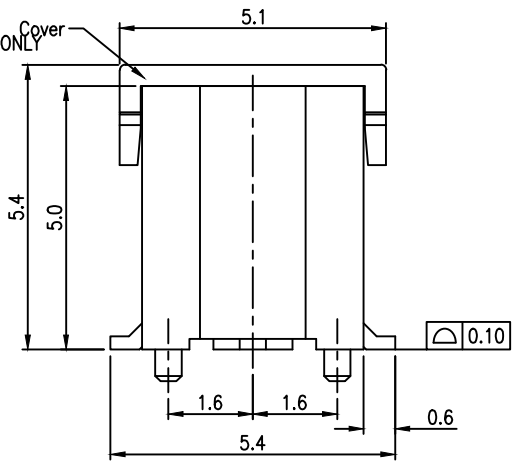
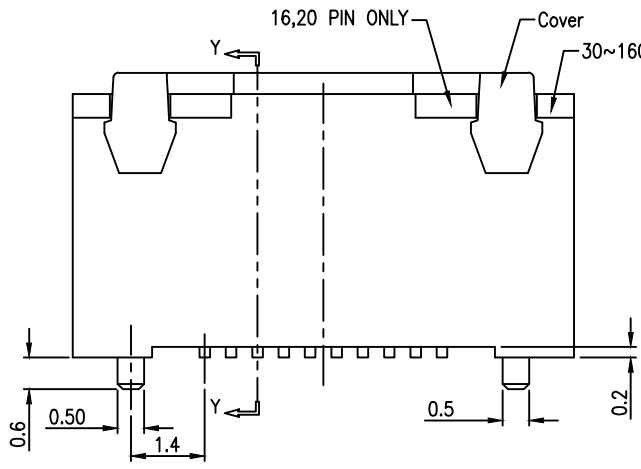
- NOTES:
- MATERIAL:
 - HOUSING: THERMOPLASTIC, HIGH TEMP., UL94V-0;
 - CONTACT: COPPER ALLOY
 - FITTING NAIL: COPPER ALLOY
 - FINISH:
 - CONTACT:
 - GOLD FLASH OVER ALL.
 - 50u" MIN NICKEL UNDERPLATING OVERALL.
 - FITTING NAIL:
 - GOLD FLASH OVER ALL.
 - 50u" MIN NICKEL UNDERPLATING OVERALL.
 - REFLOW SOLDER CAPABLE TO 260°C PER ACES SPEC.
 - SPEC. PLS. REFER TO PS-50021-xxxxx-xxx
 - PACKAGE PLS. REFER TO 88397-XXXX-TRP
 - PART NUMBER

50024-XXX X X-XXX

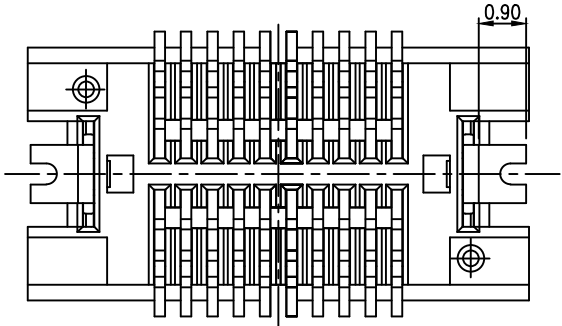
XXX	Housing Color	Halogen Free
002	Black	HF

PLATING
1: GOLD FLASH OVER ALL

PACKING
7: TAPE & REEL WITH COVER.
8: TUBE WITH COVER.



CKT	DIM A	DIM B	DIM C
16	3.5	5.5	8.5
20	4.5	6.5	9.5
30	7.0	9.0	12.0
40	9.5	11.5	14.5
50	12.0	14.0	17.0
60	14.5	16.5	19.5
70	17.0	19.0	22.0
80	19.5	21.5	24.5
100	24.5	26.5	29.5
120	29.5	31.5	34.5
160	39.5	41.5	44.5



QUALITY SYMBOLS MAJOR CRITICAL GENERAL TOLERANCES (UNLESS SPECIFIED) .X ±0.25 .XX ±0.15 .XXX ±0.1 ANGLES ±2°	DRAWN BY Rong, Li Ping DATE 19/08/21	 TITLE 0.5mm BTB D/R CONN.SMT S/T TYPE (WITH COVER)
	CHECKED BY Lu, Jing Quan DATE 19/08/21	
APPROVED BY hsieh, fu yu DATE 19/08/21	UNITS mm SCALE 8 : 1	SHEET NO. 2 OF 2 REV A DWG NO. 50024-XXXXX-XXX